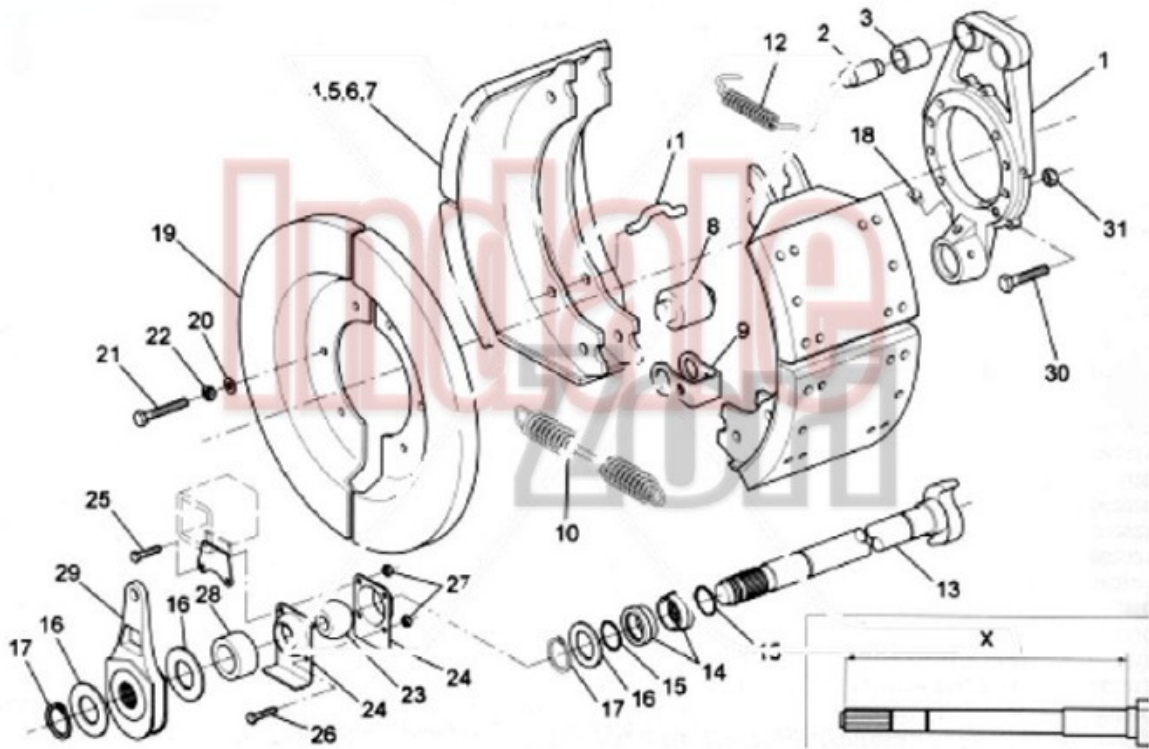


## HF 420 brake assembly fabricated xem shoe



1. Torque Plate (Spider)	11. Pin - Return Spring - Fabricated Shoe	14. Spider Bearing
2. Anchor Pin-XEM Fab shoe	12. Return Spring - Anchor End	15. O-Ring
3. Anchor Brush	13. Camshaft - 37 Spline - LH Dim X = 607 RH Dim X = 607	16. Washer 42 Dia
4. Lined Brake Shoe Assy - Fabricated- 420 x 180 XEM, 420 x 130 XEM	14. Spider Bearing	17. Circlip Ext. 41 Dia
5. Brake Shoe Unlined - Fabricated - 420 x 180 XEM, 420 x 130 XEM	15. O-Ring	18. Grease Nipple
6. Brake Lining- Cam 420 x 180 Anchor 420 x 180 Cam 420 x 130 Anchor 420 x 130	16. Washer 42 Dia	19. Dust Cover LH Dust Cover RH Dust Cover 1-Piece
7. Rivets	17. Circlip Ext. 41 Dia	20. Washer 8 Dia
8. Roller - fab Shoe	18. Grease Nipple	21. Setscrew M8 x16
9. Retainer - fab Shoe	19. Dust Cover LH Dust Cover RH Dust Cover 1-Piece	22. Spring Washer 8 Dia
10. Return Spring	20. Washer 8 Dia	23. Camshaft Bushing
	21. Setscrew M8 x16	24. Retainer Plate
	22. Spring Washer 8 Dia	25. Setscrew M10 x 30
	23. Camshaft Bushing	26. Setscrew M10 x 20
	24. Retainer Plate	27. Nyloc Nut M10
	25. Setscrew M10 x 30	28. Spacer
	26. Setscrew M10 x 20	29. Slack Adjuster - 37 Spline
	27. Nyloc Nut M10	30. Bolt M14 x 55
	28. Spacer	31. Nyloc Nut M14
	29. Slack Adjuster - 37 Spline	
	30. Bolt M14 x 55	
	31. Nyloc Nut M14	

